

**FACULTY OF ENGINEERING****B.E 2/4 (M/P) I-Semester (Backlog) Examination, May / June 2019****Subject: Machine Drawing****Time: 3 Hours****Max. Marks: 75**

Note: Answer all questions from Part-A and any five questions from Part-B

**PART-A (5 x 5 = 25 Marks)**

1. Sketch (free hand) the half sectional front view of a flanged coupling to connect two shaft of diameter 25 mm.
2. Sketch with free hand front view and side view, a square headed bolt for having 20 mm shank diameter
3. Sketch a taper sunk key and double headed feather key.
4. Draw the profile of ACME and buttress thread.
5. Draw sectional front view and Side view from the left of the component shown in fig 1.

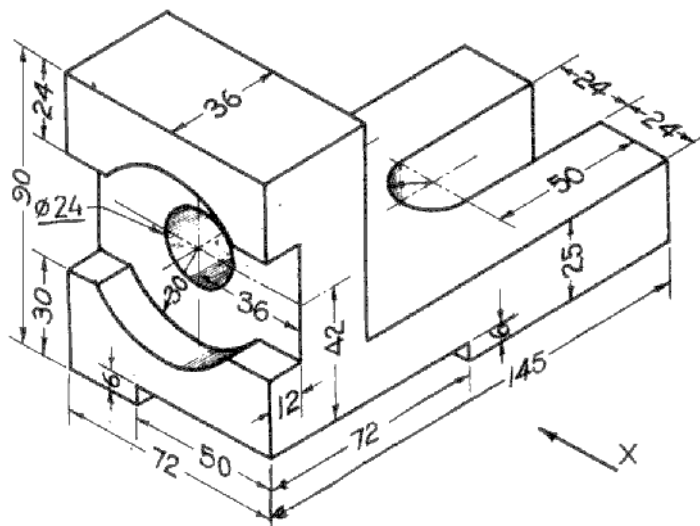
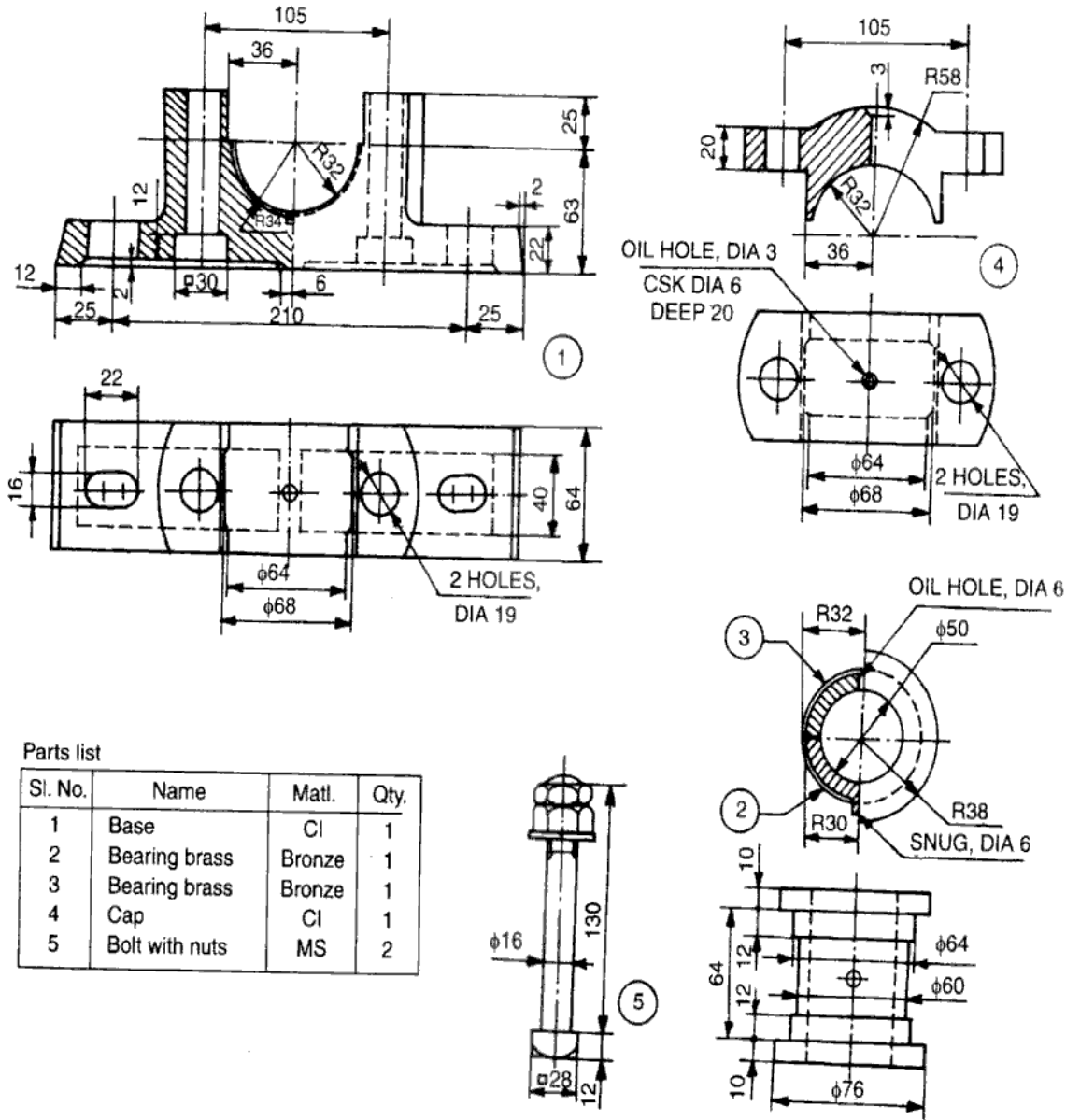


Fig. 1

**Part B (50 Marks)**

6. Draw the following views of a plummer block, suitable for supporting a shaft of diameter 50mm: Fig:2
  - (a) half sectional view from the front, with left half in section,
  - (b) sectional view from the side, and
  - (c) view from above.



Parts list

Sl. No.	Name	Matl.	Qty.
1	Base	CI	1
2	Bearing brass	Bronze	1
3	Bearing brass	Bronze	1
4	Cap	CI	1
5	Bolt with nuts	MS	2

Fig: 2

\*\*\*\*\*