

FACULTY OF ENGINEERING**B.E. 2/4 (AE) I – Semester (Backlog) Examination, May/June 2019****Subject: Automotive Engineering Drawing****Time: 3 Hours****Max. Marks: 75****Note: Answer all questions from Part A and Part B. Assume any missing data suitable and mention clearly****PART – A (25 Marks)**

1. Draw conventional representation of the following:
(a) Glass(material) (b) Bearing (Machine Component)
2. Draw the profile of the following threads:
(a) ACME (b) Withworth
3. What is shaft coupling? Sketch split muff coupling.
4. Draw conventional representation of the following:
(a) External thread (b) Internal thread
5. Draw the front view and top view for the following figure1.

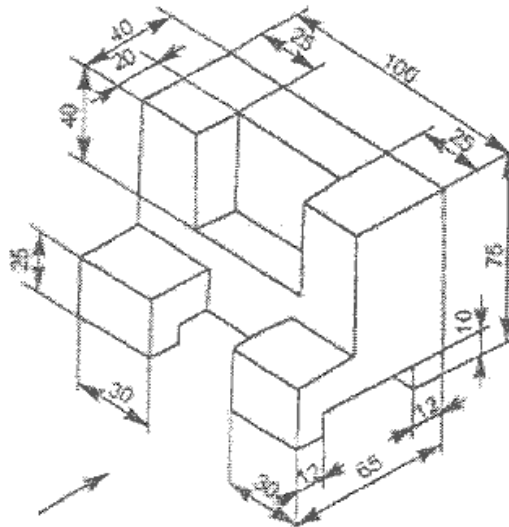


Figure 1

Contd..2

PART – B (50 Marks)

6. Assemble all the components shown in figure 2, to form screw jack assembly and draw
 a) Full sectional front view
 b) Top view
 c) Left side view

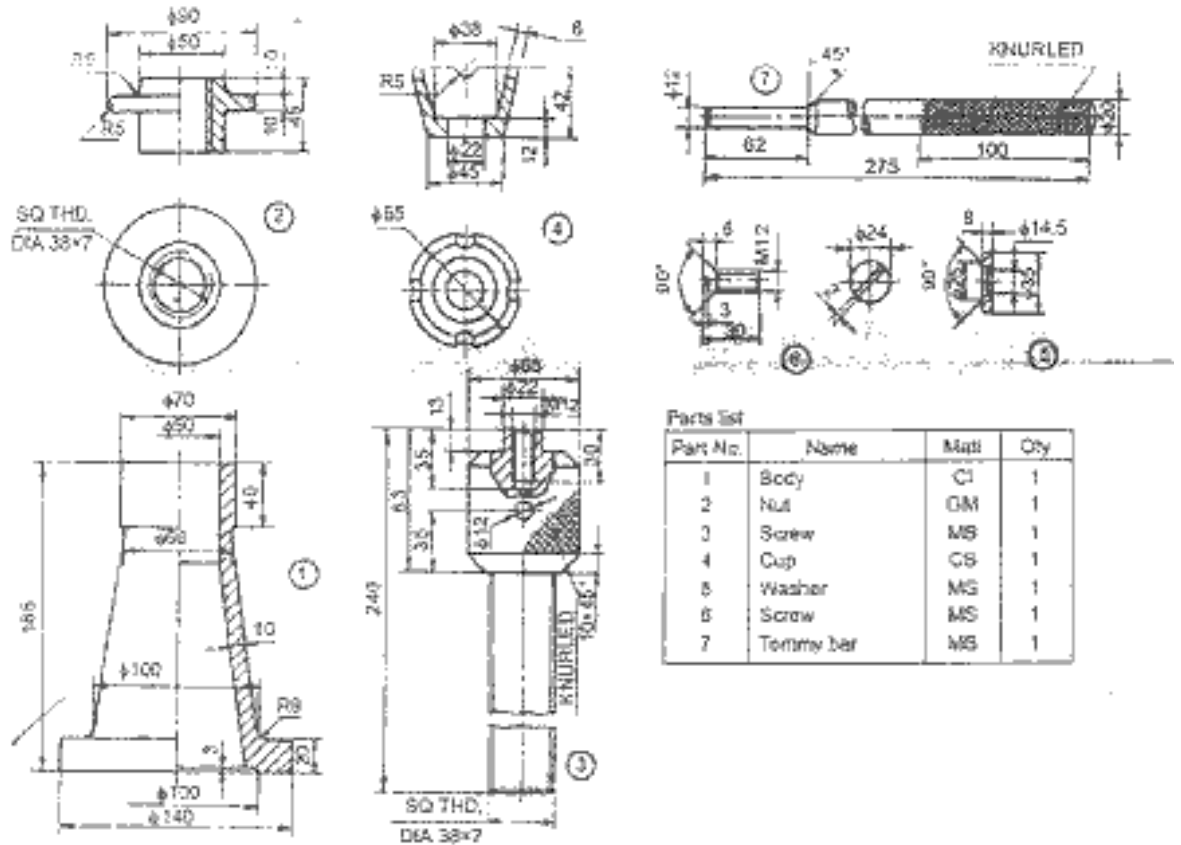


Figure 2
